

**ONLY THE DB-25 OR RIBBON CABLE SHOULD BE USED!!
DO NOT USE BOTH AT THE SAME TIME!**

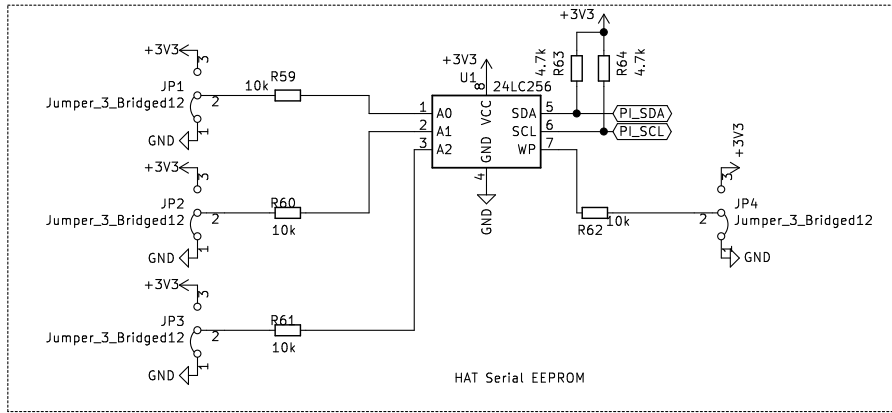
This card include bus transceiver logic to allow a Raspberry Pi to connect to a vintage Macintosh SCSI port. (It may work with other systems as well)

This design is based upon GIMONS's Target/Initiator design <http://retropc.net/gimons/rascsi/>

This is the "FULLSPEC" version of the board that can work as a SCSI target OR initiator

Thank you to everyone who has worked on this project!!

Sheet: /	File: rascsi_2p3.sch
Title: RaSCSI - 68kmla Edition	
Size: USLetter	Date: 19-Sept-2020
KiCad E.D.A. kicad (5.1.4)-1	Rev: 2.3
	Id: 1/3



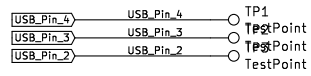
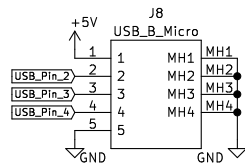
Sheet: /Serial_Eeprom/
 File: Serial_Eeprom.sch

Title:

Size: A4 Date:

KiCad E.D.A. kicad (5.1.4)-1

Rev:
 id: 2/3



Pins 2,3,4 are not used. However, if there aren't any traces connected to them, they fall off very easily. These test points don't serve any function other than adding more copper to Pins 2,3,4.

Sheet: /USB_Conn/
File: USB_Conn.sch

Title:

Size: A4 Date:

KiCad E.D.A. kicad (5.1.4)-1

Rev:
id: 3/3